

**ST-AHC5110SDR-X**

AHD IR Waterproof Whelk Camera

---



**Features**

- > 1.0MP 1/4" sensor;
- > HD 720P Resolution, Image clear, Delicate;
- > HD lens: 3.6mm, 6mm optional;
- > Day/Night(Auto ICR);
- > Auto electronic shutter time;
- > IR range: 24 led lambs 20m-30m;
- > Ingress Protection : IP66;
- > 500 m transmission without delay;

**Saitell Technology Co., Ltd.**

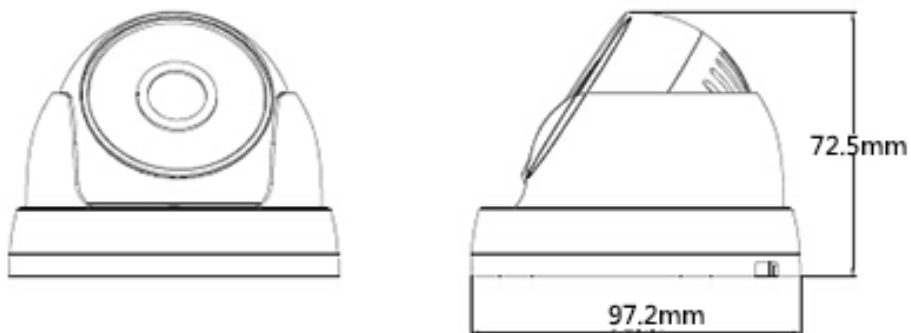
China Shenzhen Foreign Trade (Group) Building, 239 Zhongxing Road, Shenzhen, China  
Tel: +86-755-22318209 Fax: +86-755-22318205 Email:sales@saitell.com www.saitell.com

**ST-AHC5110SDR-X**

**Technical Specifications**

Medol		ST-AHC5110SDR-X
Camera	Sensor	1.0 million 1/4" CMOS sensor
	Signal	AHD@720P
	Min. illumination	Color : 0.1Lux @(F1.2,AGC ON); 0 Lux with IR B/W: 0.01 Lux @ (F1.2,AGC ON),0 Lux with IR
	Shutter time	1/50(1/60)s to 1/10,000 s
	Lens	HD lens 3.6mm @F1.8 ( 6mm optional )
	Lens mount	M12
	Day&night	IR cut filter with auto switch
	Max.image reolution	1280*720
Interface	Video output	1Vp-p Composite Output(75Ω/BNC )
	Audio I/O	N/A
General	temperature	0°C + 55°C
	humidity	10%-90% RH
	Power supply	DC12V±10%
	IR range	24 led lambs "IR2":20-30 meters
	Consumption	MAX 6W
	Ingress Protection	IP66
	Weight	Around 300g
	Dimension	Φ97.2mm*72.5mm

**Dimensions (mm)**



**Saitell Technology Co., Ltd.**

China Shenzhen Foreign Trade (Group) Building, 239 Zhongxing Road, Shenzhen, China  
 Tel: +86-755-22318209 Fax: +86-755-22318205 Email:sales@saitell.com www.saitell.com