

ST-AHC5110EQ-V

AHD 1.0MP Bullet Camera



Features

- > 1.0MP 1/4" sensor;
- > HD 720P Resolution, Image clear, Delicate;
- > Manual zoom lens 2.8~12mm;
- > Day/Night(Auto ICR);
- > Auto electronic shutter time;
- > IR range: 42 led lamps 30m-40m;
- > Ingress Protection : IP66;
- > 500 m transmission without delay;

Saitell Technology Co., Ltd.

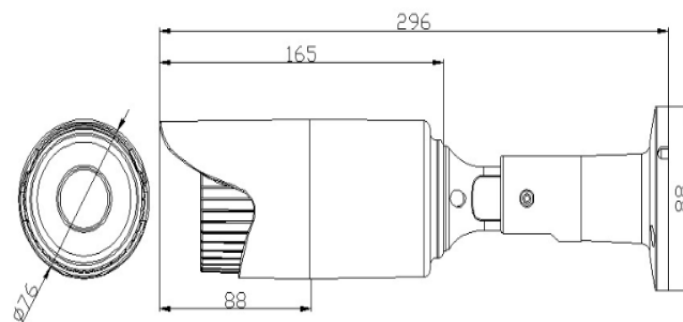
China Shenzhen Foreign Trade (Group) Building, 239 Zhongxing Road, Shenzhen, China
Tel: +86-755-22318209 Fax: +86-755-22318205 Email:sales@saitell.com www.saitell.com

ST-AHC5110EQ-V

Technical Specifications

Model		ST-AHC5110EQ-V
Camera	Sensor	1.0 million 1/4" CMOS sensor
	Signal	AHD@720P
	Min. illumination	Color : 0.1Lux @(F1.2,AGC ON); 0 Lux with IR B/W: 0.01 Lux @ (F1.2,AGC ON),0 Lux with IR
	Shutter time	1/50(1/60)s to 1/10,000 s
	Lens	Manual zoom lens 2.8~12mm
	Lens mount	M14
	Day&night	IR cut filter with auto switch
	Max.image resolution	1280*720
Interface	Video output	1Vp-p Composite Output(75Ω/BNC)
	Audio I/O	N/A
General	temperature	-10°C + 60°C
	humidity	10%-90% RH
	Power supply	DC12V±10%
	IR range	42 led lamps "IR3":30-40 meters
	Consumption	MAX 5W
	Ingress Protection	IP66
	Weight	Around 700g
	Dimension	Φ80mm*300mm

Dimensions (mm)



Saitell Technology Co., Ltd.

China Shenzhen Foreign Trade (Group) Building, 239 Zhongxing Road, Shenzhen, China
 Tel: +86-755-22318209 Fax: +86-755-22318205 Email:sales@saitell.com www.saitell.com