



ONVIF

2 Megapixel IR Bullet

IP Camera



NEW 2014 DEC. V1.3



IP Surveillance

VIT-US531

- Sony Exmor 1/2.8" CMOS Image Sensor.
- Improved low-light performance.
- Real-time H.264, MPEG-4 and MJPEG Compression(Triple Codec).
- Resolution : 1920x1080 30fps.
- Simultaneous Multiple Streams.
- 42 IR LEDs, IR Range 35M
- Built-in SD/SDHC Card Slot for On-board Storage.
- Supports ONVIF Standard to Simplify Integration and Enhance Interoperability.
- Support Audio line-in for external microphone
- Support Face Detection.

VIT-US531 2 Megapixel IR Bullet IP Camera

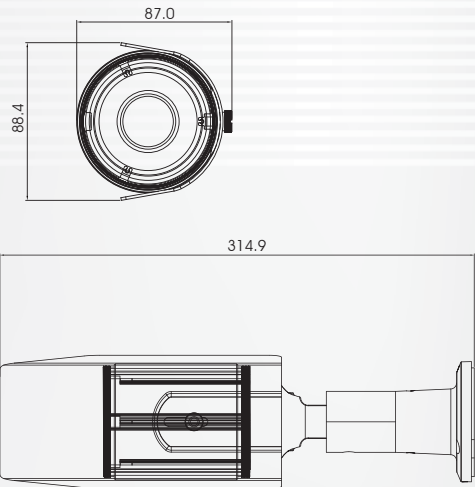


Cable Installing Instruction



1. Phone Jack Line In
2. DC 12V Input
3. Ethernet Lan Port and Link & Power LEDs
4. BNC Analog Video Output
5. Reset Button
6. Ground
7. Alarm Digital Input 1
8. Alarm Digital Output 1
9. Alarm Digital Input 2

Dimension Unit: mm



SPECIFICATIONS

System	Platform : TI TMS320DM368	
	Flash : 256MB	
	RAM : 128MB	
Image Sensor	FullHD High Quality 1/2.8"Sony Exmor CMOS Image Sensor	
Lens	Varifocal 2.8-12mm F1.4	
IR-cut	Removable IR-cut filter for day & night function	
Sensitivity	0 Lux (IR ON)	
IR LEDs	42PCS	
IR Range	35M	
Video	H.264: 30 fps at 1920x1080	
	MPEG4: 30 fps at 1920x1080	
	MJPEG: 30 fps at 1920x1080	
	Compression: H.264, MPEG-4 & MJPEG Streaming:	
	Triple Codec (H.264 & MPEG-4 & JPEG) Selectable	
	Support Simultaneous multiple streams	
Image Settings	Adjustable image size, quality, and bit rate	
	Time/Date stamp and text caption overlay.	
	Configurable brightness, contrast, saturation, sharpness, white balance and exposure AGC / AWB / AES / BLC	
Audio	Format	G.711 audio encoding
	Support Audio line-in for external microphone	
Network	Interface	10/100 Mbps Ethernet, RJ-45
	Supported Protocol	IPv4, TCP/IP, DHCP, HTTP, RTSP, SNTP, DNS
	Supported Browser	Microsoft Internet Explorer 6.0 or for Safari, Chrome or Firefox
Alarm and Event management	Motion Detection	
	Event notification using SMTP or FTP	
I/O port	RJ-45 Ethernet x 1, DC Jack x 1, BNC Video out, Phone Jack Line in x 1, Alarm I/O, Reset Button	
Users	8 clients on-line monitoring at the same time	
	Multi-level user access control with password protection	
Maintenance	Supports online firmware upgrade	
On-board Storage	SD/SDHC card slot : Stores snapshots and video clips	
IP Rating	IP 66	
Power supply	DC12V or PoE IEEE802.3af Class 0	
Max. Power Consumption	3.6W(IR OFF), 7W(IR ON)	
Weight	Netweight : 965 g	
Dimension	315 x 88 x 87 mm	
Operating Environments	Temperature: 0 - 45 °C	
	Humidity: 90%	

★ Product specifications are subject to change without notice; please contact us for the latest information.

■ DISTRIBUTED BY

