

ST-AHC5110/5313RT

1.0/1.4Mp IR Dome AHD Camera



Features

- > ST-AHC5110RT 1.0Mp OV9712S Sensor
ST-AHC5313RT: 1.4Mp IMX238 Sensor
- > Varifocal focal Length 2.8~12mm
- > IR LEDs length 30m, 36 pcs LED
- > 2DNR, AGC,AWB,Flickless, OSD
- > 720P / 960H
- > DC12V, IP60

Saitell Technology Co., Ltd.

China Shenzhen Foreign Trade (Group) Building, 239 Zhongxing Road, Shenzhen, China
Tel: +86-755-22318209 Fax: +86-755-22318205 Email:sales@saitell.com www.saitell.com

ST-AHC5110/5313RT

Specifications:

Model	ST-AHC5110RT	ST-AHC5313RT
Camera		
Image Sensor	OV9712S	IMX238
DSP	NVP2431H	NVP2431H
Image Resolution	720P/960H	960P/960H
Effective Pixels	1.0MP, 1280x720	1.4MP, 1280x960
TV System	PAL/NTSC	
Electronic Shutter	1/25s~1/50,000s , 1/30s~1/60,000s	
Sync System	Internal	
Usable Illumination	0.01Lux	0.001Lux
S/N Ratio	≥50dB	
Scanning System	Progressive Scan	
Video Output Mode	AHD/CVBS (960H) (BNC)	AHD/CVBS (960H) (BNC)
Lens		
Focus Length	2.8-12mm	
Focus Control	Manual	
Lens Type	Manual	
Pixels	2M Pixels	
Auto Iris Support	NO	
Night Vision		
Infrared LED	∅ 5X36PCS	
Infrared Distance	30M	
IR Status	Under 10 Lux by CDS	
IR Power On	CDS Auto Control	
Camera Features		
Day/Night	Auto (ICR) / Color / B&W	Auto (ICR) / Color / B&W
OSD Menu Language	EN, CN, DE, FRA, IT, ES, PL, RU, PT, NL, TR	EN, CN, DE, FRA, IT, ES PL, RU, PT, NL, TR
White Balance	Auto/Manual	Auto/Manual
Gain Control	Auto	Auto
Noise Reduction	3D NR	3D NR

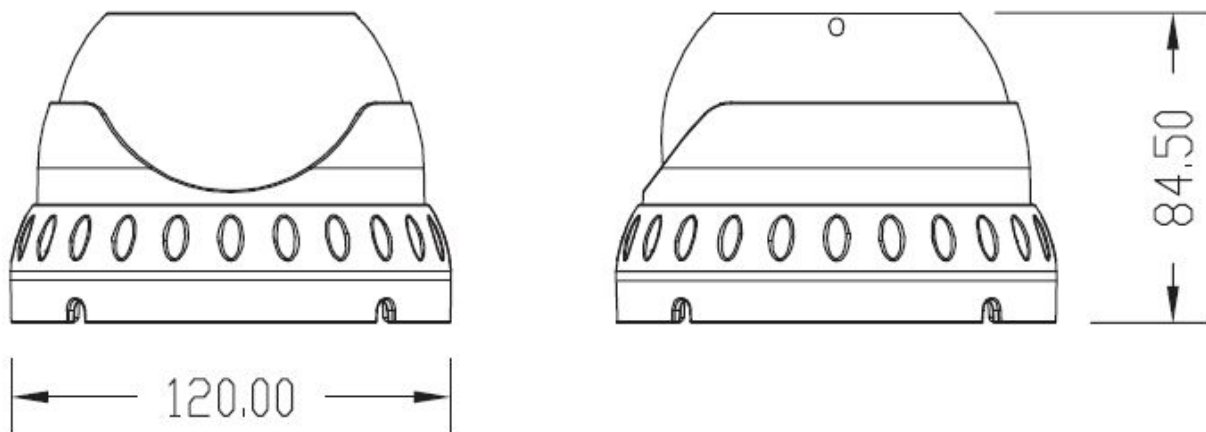
Saitell Technology Co., Ltd.

China Shenzhen Foreign Trade (Group) Building, 239 Zhongxing Road, Shenzhen, China
 Tel: +86-755-22318209 Fax: +86-755-22318205 Email:sales@saitell.com www.saitell.com

ST-AHC5110/5313RT

Picture Adjustment	Yes	Yes
OSD Support	Yes	Yes
General		
Vandalproof Housing	YES, Metal	
Lens Angle Adjustment	YES	
Dual Voltage	NO	
IR Cut Filter	YES	
Heater	NO	
Operation Temperature	-10°C ~ +50°C RH95% Max	
Storage Temperature	-20°C ~ +60°C RH95% Max	
Power Source	DC12V±10%, 500mA	
Dimension	∅ 131 x 93(H)mm	
Weight	0.80Kg	

Dimensions (mm)



Saitell Technology Co., Ltd.

China Shenzhen Foreign Trade (Group) Building, 239 Zhongxing Road, Shenzhen, China
 Tel: +86-755-22318209 Fax: +86-755-22318205 Email:sales@saitell.com www.saitell.com