

Fingerprint Time Attendance Terminal



GT-100



User Role



Work Code



Printing



Encrypted Data



Display Style



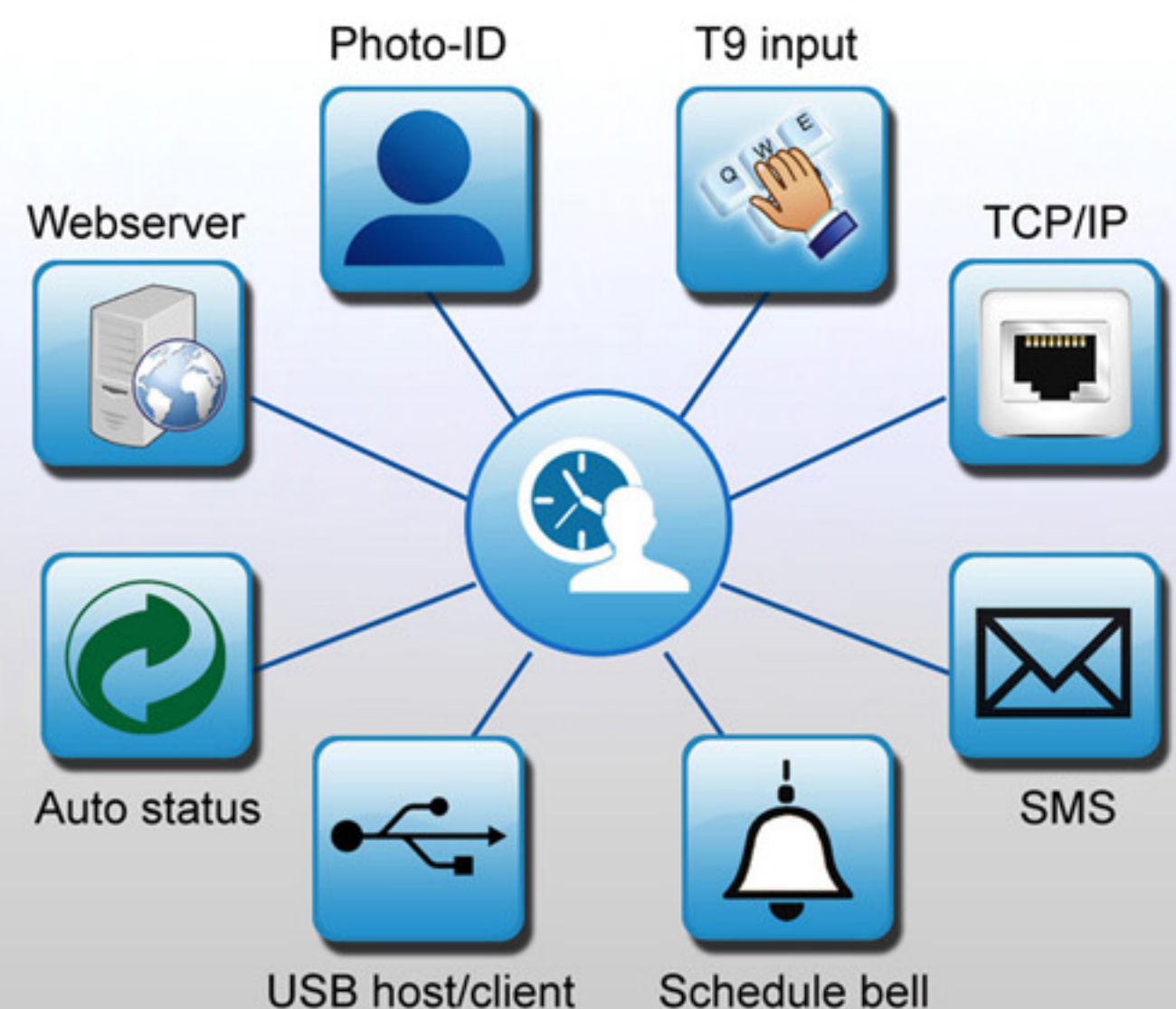
Friendly UI

Introduction

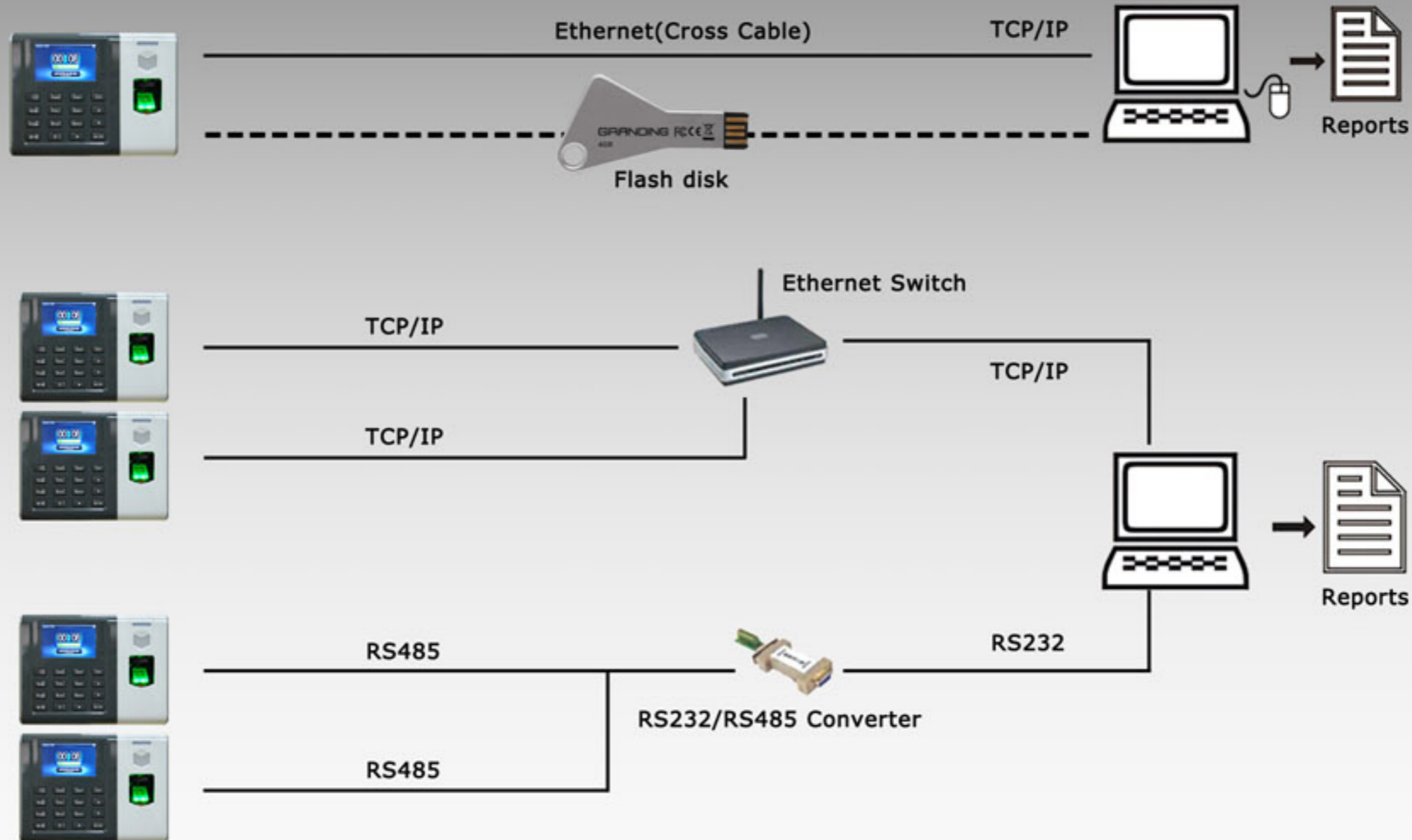
GT-100 is one of intelligent fingerprint time attendance terminals of new generation, with high-speed CPU and excellent performance.

Friendly user-interface with similar android and iOS make user operates very comfortable and easy; the super thin body-design and perfect line-process will bring you a different time attendance experience.

Basic Functions



▼ **Connection Diagram**



▼ **Specification**

Capacity

Fingerprint: 3,000 Logs:100,000

Verification

Verification speed (1:1) ≤ 0.5s

Identification speed (1:1) ≤ 1s

Identification

FRR ≤ 0.01% FAR ≤ 0.0001%

Attendance status

Check in/out, break in/out

Communications

TCP/IP, RS232/485, USB Host/Client

Power Supply

110/220 VAC - 5VDC/1A

Environment

Operation temperature:0°C-45°C Operation humidity:20%-80%

Function support

Scheduled bell, Workcode, Webserver, SMS, Auto status, DST, Log query

Distinctive function

User role management, Fingerprint expired date setting, Shortcut key setting
Fingerprint image display, Main-screen picture change, External bell.

Customizable function

Printer support, 9 PIN user ID, ID card reader, Mifare card reader,
HID card reader, Wi-Fi module, ADMS

Package information

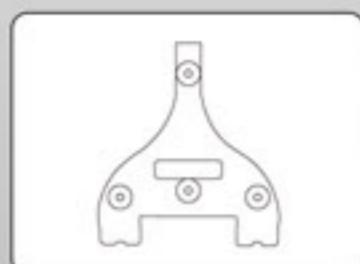
Machine size:18(L)*13.8(W)*3.8(H)cm Unit packing:28*23*10cm

Carton packing:50*30*30cm Real weight:0.7kg Volume weight:1.5kg

▼ **Package List**



Fingerprint Device



Back Plate



Screws and Holders



Software CD



USB Cable



Power Adapter



RJ45to485
Conversion Cable