

ST-SD6CC23C/23E/36E/70

Cost-effective IR PTZ High Speed Dome Camera



ST-SD6CC23C/23E/36E/70

Features

- > Powerful 23x/36x optical zoom
- > High resolution@700TVL/650TVL/540TVL
- > DWDR, Day/Night (ICR), DNR (2D&3D), Auto iris, Auto focus
- > Max 240°/s pan speed, 360° continuous pan rotation
- > Up to 255 presets, 5 auto scan, 8 tour, 5 pattern
- > IP66, IR distance up to 100m

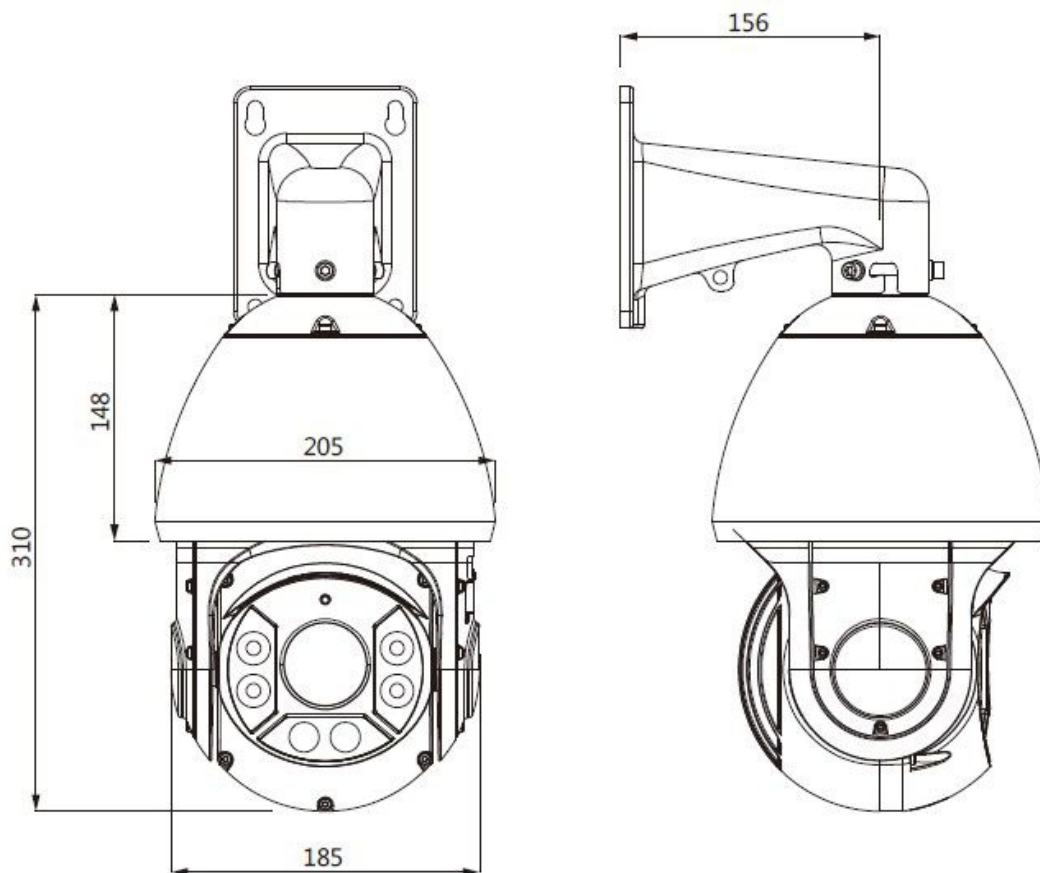
ST-SD6CC23C/23E/36E/70

Specifications:

Model	ST-SD6CC23C	ST-SD6CC23E	ST-SD6CC36E	ST-SD6CC70
Camera				
Image Sensor	1/4"CMOS	1/4" EXview HAD CCD II		1/3" EXview HAD CCD II
Effective Pixels	640(H) × 480(V)	976(H) × 582(V) / 976(H) × 494(V)		
Horizontal Resolution	Color: 540TVL	Color: 650TVL		Color: 700TVL
Scanning System	Progressive	Interlacing		
Electronic Shutter Speed	1/50(60)s~1/100,000s	1/1s ~1/100,000s		
Min. Illumination	Color:0.5Lux/F1.6	Color: 0.01 Lux/F1.6		Color: 0.001Lux/F1.6
	B/W: 0Lux(IR on)	B/W: 0Lux(IR on)		B/W: 0Lux(IR on)
S/N Ratio	More than 50dB			
Video Output	BNC(1.0Vp-p/75Ω), PAL / NTSC			
Camera Features				
Day/Night	Auto(ICR) / Color / B/W			
Backlight Compensation	BLC	BLC / HLC / DWDR (Digital WDR)		
White Balance	Auto, ATW, Indoor, Outdoor, Manual			
Gain Control	Auto / Manual			
Noise Reduction	2D	2D / 3D		
Privacy Masking	N.A.	Up to 24 areas		
Digital Zoom	N.A.	16x		
Lens				
Focal Length	3.9 mm~89.7mm;	3.9mm~89.7mm;	3.4mm~122.4mm;	3.9mm ~ 89.7mm;
	23x Optical zoom	23x Optical zoom	36x Optical zoom	23x Optical zoom
Max Aperture	F1.6~ F3.7	F1.6~ F3.7	F1.6~F4.5	F1.6~ F2.7

ST-SD6CC23C/23E/36E/70

Focus Control	Auto / Manual			
Angle of View	H: 53.5° ~2.6°	H: 50.7° ~ 2.5°	H: 57.8°~1.7°	H: 57.6°~ 3.1°
Close Focus Distance	100mm~1000mm	10mm~1000mm		
PTZ				
Pan/Tilt Range	Pan: 0° ~ 360° endless; Tilt: -15° ~ 90°, auto flip 180°			
Manual Control Speed	Pan: 0.1° ~ 160°/s; Tilt: 0.1° ~120°/s			
Preset Speed	Pan: 240°/s; Tilt:200°/s			
Preset	80(ST-SD) , 255(Pelco-P/D)			
PTZ Mode	5 Pattern, 8 Tour, Auto Pan, Auto Scan			
Speed Setup	Human-oriented focal length/ speed adaptation			
Power up Action	Auto restore to previous PTZ and lens status after power failure			
Idle Motion	Activate Preset/Pan/Scan/Tour/Pattern if there is no command in the specified period			
Protocol	ST-SD, Pelco-P/D (Auto recognition)			
IR Distance	100m(2 near IR LED+4 far IR LED)			
Auxiliary Interface				
RS485	1 port			
General				
Power Supply	AC24V/3A (±10%), DC12V optional			
Power Consumption	15W, 28W(IR on, Heater on)			
Working Environment	-40°C ~ 60°C / Less than 90% RH			
Ingress Protection	IP66			
Dimensions	Φ185(mm) x 299(mm)			
Weight	5.0kg			

ST-SD6CC23C/23E/36E/70**Dimensions (mm)****Saitell Technology Co., Ltd.**

China Shenzhen Foreign Trade (Group) Building, 239 Zhongxing Road, Shenzhen, China

Tel: +86-755-22318209

Fax: +86-755-22318205

Email: sales@saitell.com

www.saitell.com

*Design and specifications are subject to change without notice.

© 2013 Saitell Technology Co., Ltd.