



ONVIF 5 Megapixel IR Bullet

IP Camera



NEW 2014 MAR. V1.1



IP Surveillance

VIT-UA531

- High quality 1/2.5" CMOS Sensor.
- Real-time H.264, MPEG-4 and MJPEG Compression (Triple Codec).
- Real-time Full HD 1080P °
- Resolution : 5 Mega Pixel 2592x1920.
- Simultaneous Multiple Streams.
- 40 Pcs IR LEDs / IR Range: 35M.
- Built-in SD/SDHC Card Slot for On-board Storage.
- Supports ONVIF Standard to Simplify Integration and Enhance Interoperability.
- Supports Audio line-in for external microphone.
- Supports Face Detection.

VIT-UA531 5 Megapixel IR Bullet IP Camera

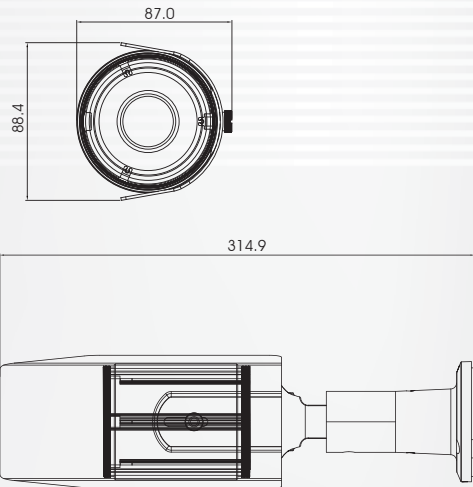


Cable Installing Instruction



- 1.Phone Jack Line In
- 2.DC 12V Input
- 3.Ethernet Lan Port and Link、Power LEDs
- 4.BNC Analog Video Output
- 5.Reset Button
- 6.Ground
- 7.Alarm Digital Input 1
- 8.Alarm Digital Output 1
- 9.Alarm Digital Input 2

Dimension Unit: mm



SPECIFICATIONS

System	Platform	: TI TMS320DM368
	Flash	: 256MB
	RAM	: 128MB
Image Sensor	High Quality 1/2.5\"CMOS	
Lens	Varifocal 3.5-10mm F1.6	
IR-cut	Removable IR-cut filter for day & night function	
Sensitivity	0 Lux (IR ON)	
IR LEDs / IR Range	40pcs / 35M	
Video	H.264	: 30 fps at 1920x1080 , Highest Resolution: 10 fps at 2592x1920
	MPEG4	: 30 fps at 1920x1080
	MJPEG	: 30 fps at 1920x1080 , Highest Resolution: 10 fps at 2592x1920
	Compression	: H.264, MPEG-4 & MJPEG Streaming: Triple Codec (H.264、MPEG-4、JPEG) Selectable
	Support Simultaneous multiple streams	
Image Settings	Adjustable image size, quality, and bit rate	
	Time/Date stamp and text caption overlay.	
	Configurable brightness, contrast, saturation, sharpness,	
	white balance and exposure AGC / AWB / AES / BLC	
Audio	Format	MPEG-4 AAC audio encoding G.711 audio encoding
	Support Audio line-in for external microphone	
	Network	Interface
Supported Protocol		IPv4, TCP/IP, DHCP, HTTP, RTSP, SNTP, DNS
Supported Browser		Microsoft Internet Explorer 6.0 or above QuickTime Player is necessary add-in for Safari, Chrome or Firefox
Alarm and Event management	Motion Detection , Face Detection , Alarm I/O (2 x DI/1 x DO) ,	
	Event notification using SMTP or FTP	
I/O port	RJ-45 Ethernet x 1, DC Jack x 1, BNC Video out, Phone Jack Line in x 1, Alarm I/O, Reset Button	
Users	8 clients on-line monitoring at the same time	
	Multi-level user access control with password protection	
Maintenance	Supports online firmware upgrade	
On-board Storage	SD/SDHC card slot : Stores snapshots and video clips	
IP Rating	IP 66	
Power supply	DC12V or PoE IEEE802.3af Class 0	
Max. Power Consumption	3.6W(IR OFF), 7W(IR ON)	
Weight	Netweight : 965 g	
Dimension	315 x 88 x 87 mm	
Operating Environments	Temperature: -10 ~ 55 °C	
	Humidity: 90%	

*Product specifications are subject to change without notice; please contact us for the latest information.

DISTRIBUTED BY

GDF Matériel d'équipement
Tel.: +216 71 393 599,
Fax: +216 71 393 608
Tunis, Route de Ben Arous,
Km 3 (Z. I. Sidi Fathallah)

