



ONVIF

Optical zoom

IP Camera



NEW 2013 APR. V1.0



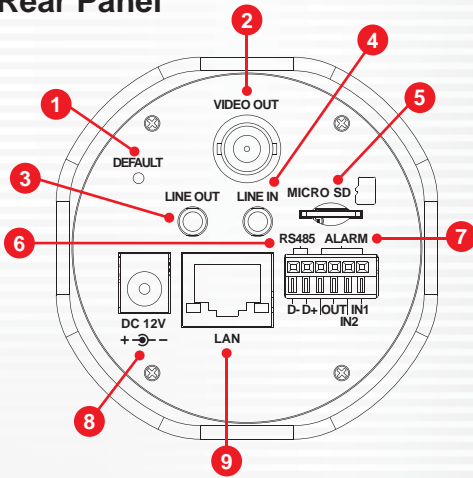
IP Surveillance
VIT-SP660

- 4.7 ~ 103mm 22 x optical zoom with autofocus mechanism
- H.264/M-JPEG/MPEG4 image compression format
- Automatic ICR mechanism enabled by level of brightness
- Video upload to FTP and send email alert via CMS after motion detection is triggered.
- Operation interface for local micro-SD card as video recording storage
- Supports PoE
- Onvif standard

Optical zoom IP Camera

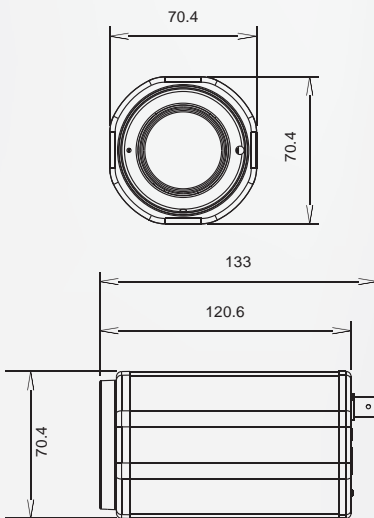
VIT-SP660

Rear Panel

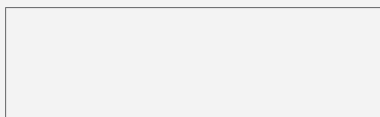


1. DEFAULT
2. VIDEO OUT
3. LINE OUT
4. LINE IN
5. MICRO SD
6. RS485
7. ALARM IN/OUT
8. DC12V
9. LAN

Rear Panel unit:mm



■ DISTRIBUTED BY



SPECIFICATIONS

System	CPU	: TI DM365 SoC
	Flash	: 32MB
	RAM	: 128MB
Image Sensor	High Quality 1/3"CMOS	
Lens	4.7-103mm 22x optical zoom F1.6	
	Auto Focus, Auto Iris	
	Removable IR-cut filter for day & night function	
Video	H.264: 30 fps at 1280x1024	
	MPEG4: 30 fps at 1280x1024	
	MJPEG: 30 fps at 1280x1024	
	Compression: H.264, MPEG-4 & MJPEG Streaming: Triple Codec (H.264、MPEG-4、JPEG) Selectable	
	Support Simultaneous multiple streams	
	BNC connector for video output ; NTSC/PAL video output switch	
	Support Audio line-in for external microphone	
Image Settings	Adjustable image size, quality, and bit rate	
	Time/Date stamp and text caption overlay.	
	Configurable brightness, contrast, saturation, sharpness, white balance and exposure	
	AGC、AWB、AES、BLC	
	Format: G.711 audio encoding	
Networking	Interface	10/100 Mbps Ethernet, RJ-45
	Supported Protocol	IPv4, TCP/IP, DHCP, HTTP, RTSP, SNTP, DNS
	Supported Browser	Microsoft Internet Explorer 6.0 or above QuickTime Player is necessary add-in for Safari, Chrome or Firefox
Alarm and Event Management	Motion Detection	
	2 D/I & 1 D/O for external sensor and alarm	
	Event notification using SMTP or FTP through CMS FCW-SE064	
Users	8 clients on-line monitoring at the same time	
	Multi-level user access control with password protection	
Maintenance	Supports online firmware upgrade	
I/O	RJ-45 Ethernet, DC Jack, BNC Video out, Phone Jack Line in, Alarm I/O, RS-485, Micro SD slot, Default button	
Power	DC12V or PoE IEEE802.3af Class 0	
Dimension	139 x 70 x 70 mm	
Operating Environments	Temperature: 0 ~ 45 °C Humidity: 90%	

★Version updating is not going to inform, please check the on-going updating information

